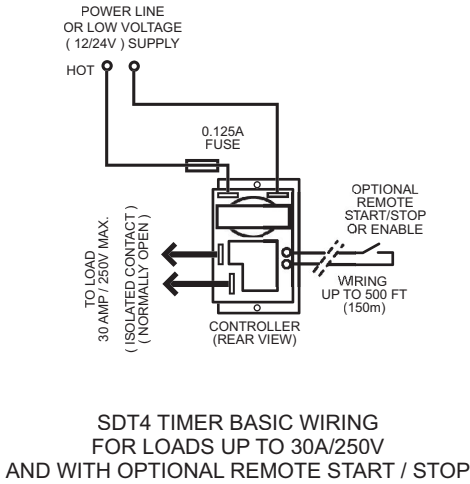
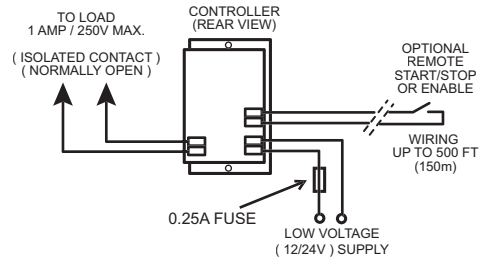


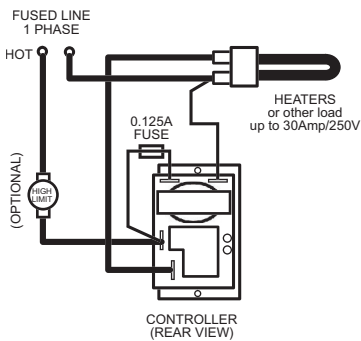
SDT4 TIMER WIRING EXAMPLES



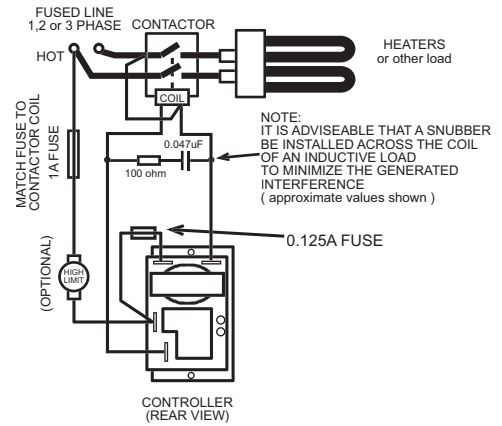
WT1



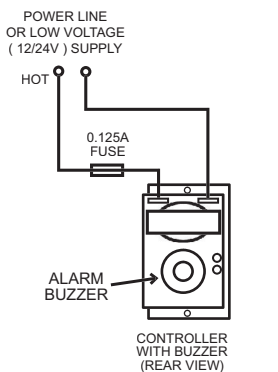
WT2



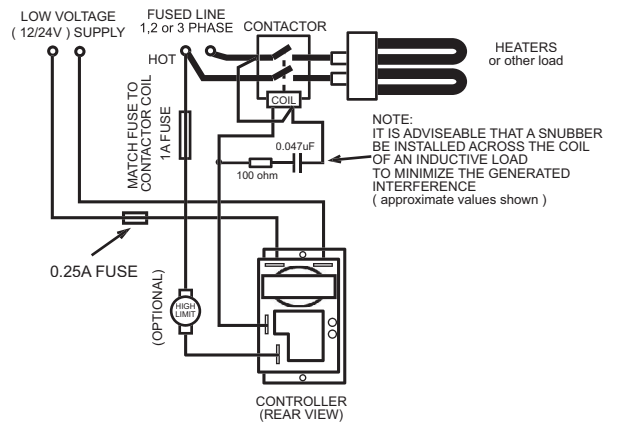
WT3



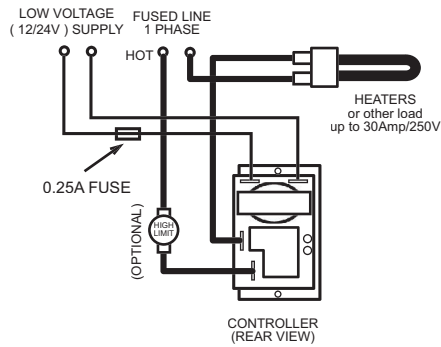
WT4



WT5

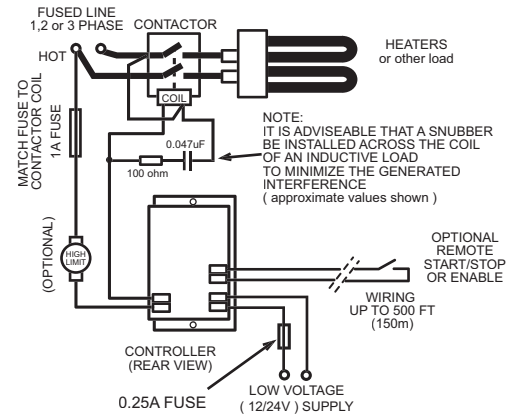


WT6



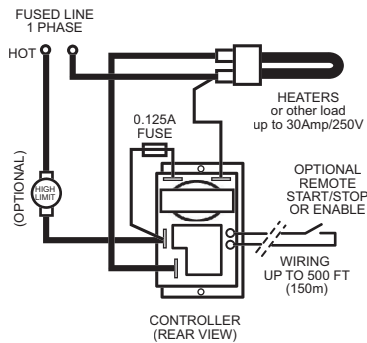
SDT4 TIMER
FOR LOADS UP TO 30A/250V
USING EXTERNAL CONTACTOR
AND WITH LOW VOLTAGE
FOR CONTROLLER SUPPLY

WT7



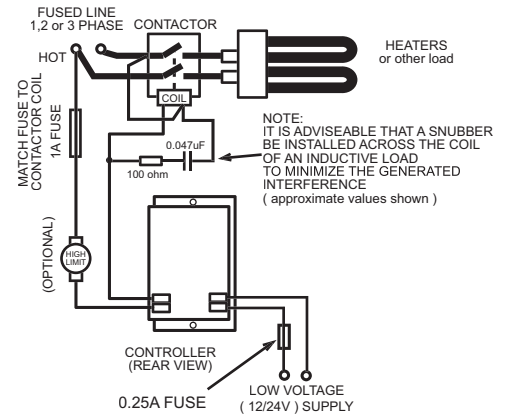
SDT4 TIMER
FOR VERY HIGH LOADS USING EXTERNAL CONTACTOR
AND WITH LOW VOLTAGE FOR CONTROLLER SUPPLY
AND USING LOW POWER ON-BOARD RELAY
AND WITH OPTIONAL REMOTE START / STOP

WT8



SDT4 TIMER WIRING
FOR LOADS UP TO 30A/250V
AND WITH OPTIONAL REMOTE START / STOP

WT9



SDT4 TIMER
FOR VERY HIGH LOADS USING EXTERNAL CONTACTOR
AND WITH LOW VOLTAGE FOR CONTROLLER SUPPLY
AND USING LOW POWER ON-BOARD RELAY

WT10

FEATURES:

- SDT4 TIMER models for supply voltage on 120Vac, 208-250Vac, 50/60Hz power line and low voltage 12V ac/dc and 24V ac/dc.
- Available in high power load version with 30 Amps/250V max. Normally Open, SPST relay on-board or in lower power version with 1 Amp/250V max. Normally Open, SPST relay on-board. All relay contacts are fully isolated from the controller supply.
- Operating modes for UP, DOWN, CYCLING or ACCUMULATING count.
- Optional remote Start / Stop or Enable contact wiring extendable up to 500 ft (150 M) using any type of 2-conductor cable.
- Options, ranges and features selectable via face panel keys.
- SDT4 TIMER fits in a standard 1-gang wiring box or in a panel. Semi-flush or flush mounting.